

# Rota-Beam™ RB6 Series

## ROTATING HALOGEN BEACONS



***Rota-Beam RB6 is a versatile, mid-sized beacon, perfect for utility, maintenance, fire and rescue applications. Its straightforward relampable design is easy to install and easy to service.***

In 1956 Whelen introduced the popular Rota-Beam Series. Back by popular demand, we've now added a new dual reflector model. For fire truck applications, it is the first rotating beacon to meet NFPA requirements in red/red for the "Upper Zone C". It's part of Whelen's tradition; providing superior performance and reliability with lighting products that meet and exceed typical warning light requirements.

### FEATURES

- New dual reflector model, 65 RPM produces 130 FPM for a longer "on time" light.
- Single parabolic reflector beacon, 150 RPM produces 150 FPM.
- Unique motor assembly with precision double roller ball bearings provides superior performance with less friction, minimal noise and ultimate reliability.
- New parabolic reflectors, designed by computer sterolithography, have dramatically increased light intensities with greater optic spread.
- Polycarbonate domes are sealed to base with weather-resistant "O" ring gasket.
- Non-corroding bases are offered in both 1" NPT pipe mount and concealed permanent flat mount, in the same unit. No additional flanges or mounting collars are required.
- Optional magnetic mount kit with cord and cigar plug.
- Three year warranty on motor assembly.
- Meet and exceeds S.A.E and California Title XIII and NFPA 1901 requirements for emergency vehicles.



Designed  
& Manufactured in the U.S.A.

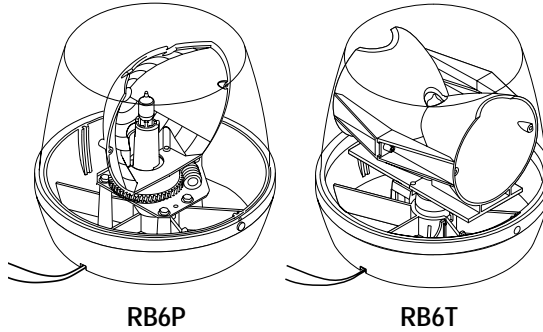
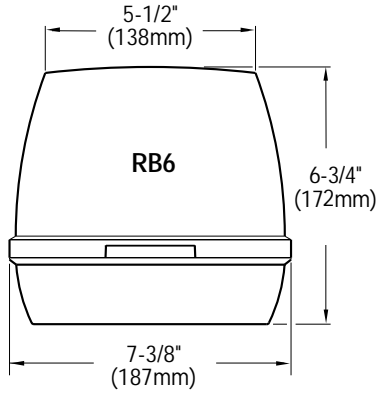


Available in  
all 6 safety colors

Form# RB60603

**WHELEN®**  
Engineers for the Emergency Warning Industry

# Rota-Beam™ SPECIFICATIONS



## ELECTRICAL AND PHYSICAL DATA

MODEL	VOLTAGE	PEAK CURRENT (AMPS <sup>1</sup> )	FLASH RATE (FPM)	BEAM CANDLEPOWER	LAMP TYPE	AMBIENT TEMPERATURE	WEIGHT
RB6P	12 VDC	3.9a	150	70,000	50 WATT SNAP-IN BASE HALOGEN	-30°F (-34°C) to +120°F (+49°C)	1 lb., 5 oz. (55kg)
RB6T*P	12 VDC	5a	130	50,000	60 WATT SNAP-IN BASE HALOGEN	-30°F (-34°C) to +120°F (+49°C)	1 lb., 7 oz. (64kg)

<sup>1</sup> Current at model's operating voltage, 12 V.

## MODELS

RB6P\*P ....Permanent mount single reflector.  
 RB6P\*M ....Magnetic mount single reflector.  
 RB6T\*P ....Permanent mount dual reflector.

## OPTIONS

WMM6K ....Magnetic mount kit for RB6 Series. Includes magnet and cigar plug with 6' straight cord.  
 KCF\* .....Color filter kit (customer installed) for use with clear outer dome, RB6P only.  
 RB6CF\* ....Color filter kit (customer installed) for use with clear outer dome, RB6T only.



**Note:** The use of a magnetic mounted beacon on the roof of a vehicle in motion is not recommended, and is at the sole discretion and risk of the user.

**WHELEN**<sup>®</sup>  
 ENGINEERING COMPANY, INC.

Route 145, Winthrop Road  
 Chester, Connecticut 06412-0684  
 (860) 526-9504 • Fax: (860) 526-4078  
 Internet: [www.whelen.com](http://www.whelen.com)

 Whelen Engineering reserves the right to upgrade and improve products without notice.  
**MADE IN THE U.S.A.**

© 2003 Whelen Engineering Company, Inc.  
 Form No.10148D-0603