

L41 Series

SUPER-LED® BEACONS

BEACONS

At Whelen Engineering, we offer SAE Class 1 beacons because our customers deserve the performance and safety features not found in second class products. All Whelen, Class 1 high intensity, quality lighting systems are built and backed by our commitment to your safety.



L41 Series beacons are certified SAE Class 1 with 25 flash patterns. Ultra High Intensity LED technology rivals strobe in intensity and draws far less power. LED light source has a rated life that exceeds that of strobe flash tubes by more than 50:1.



MIRROR20



BBKT20



FEATURES

- SAE Class 1 certified.
- Medium profile, smooth outer dome, universal application.
- Encapsulated electronics for moisture and vibration resistance.
- 50,000 hour rated life.
- Virtually no EMI radiation.
- 12/24 VDC operation. Low current draw: 12V - peak 1.5A / avg. 0.6A. 24V - peak 0.75A / avg. 0.3A.
- LED beacon design features 75 SignalAlert™ flashes per minute, standard.
- Permanent mount model allows for permanent flat mount, J-Hook mount, or 1" NPT pipe mounting. Supplied with five wire, 6" pigtail (Hi/Low, Scan-Lock™ and sync wire).
- Magnetic and magnetic/suction mount models supplied with 10' straight cord and cigar plug with LED indicator On/Off switch plus pattern control switch.

- 25 total selectable flash patterns (including steady-burn).
- Polycarbonate dome.
- Cast aluminum powder coated base.
- Permanent mount available with photocell Hi/Low – contact factory.
- Five-year HDP® Heavy-Duty Professional warranty.

MODELS

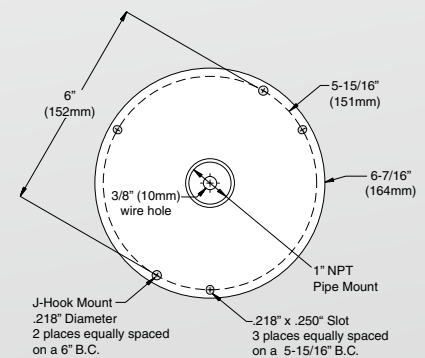
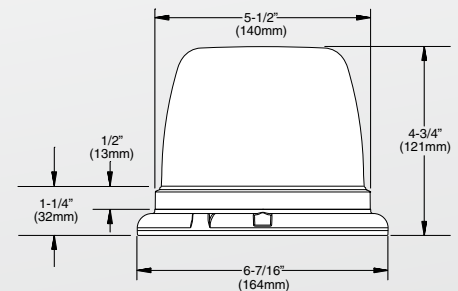
- L41*PPerm/pipe mount
 L41*MMagnetic mount
 L41*VMagnetic/suction mount

OPTIONS

- BBKT20Stainless steel shelf mount bracket
 MIRROR20.....Stainless steel West Coast mirror mount bracket

Replace (*) in model number with letter indicating color choice: A = Amber, B = Blue, C = White, R = Red.

NOTE: the use of a magnetic mounted beacon on the roof of a vehicle in motion is not recommended and is at the sole discretion and risk of the user.



Whelen Engineering reserves the right to upgrade and improve products without notice.
 © 2013 Whelen Engineering Company, Inc. Printed in U.S.A.
 NASCAR® is a registered trademark of the National Association for Stock Car Auto Racing, Inc.
 Code No. 12408B - 03/13



WHELEN®
 ENGINEERING COMPANY, INC.

51 Winthrop Road
 Chester, Connecticut 06412-0684
 (860) 526-9504 • Fax: (860) 526-4078
 www.whelen.com