



PATROL SERIES COPBOX CABINET



DRAGE SOLUTIONS • THE MOST RESPECTED NAME IN MOBILE ALUMINUM STORAGE SOLUTIONS • THE MOST RESPECTED

ONLY FROM CTECH

CopBox

CABINETS TACTICAL STORAGE®

mid sized SUV: **P40-301**

full sized SUV: **P47-301**

PATROL Characteristics

16" Tall - maintains spare tire access

Designed for a Patrol officers gear and storage needs. Giving the right amount of storage space in a small package. Featuring a large drawer with optional dividers for organization. The Patrol Series CopBox is the perfect amount of storage for any Patrolman needing a secure location for their gear.

- Safe and Secure storage while maintaining spare tire access.
- Full Visibility out of rear of vehicle
- Economical single drawer design
- Inverted Top offers quick access to gear
- Spare Tire Access
(not available with Pro Guard)

ONLY FROM CTECH

MotionLatch™

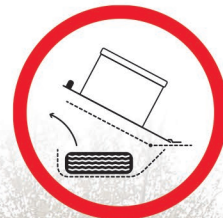
Drawer & Door System
US Patent 6,547,289



P40-301

16" H x 40" W x 30" D

82 lbs



pictured with:
Gear Guard (optional)

weights displayed with (*) are approximate
different door/drawer configurations can fluctuate weight slightly

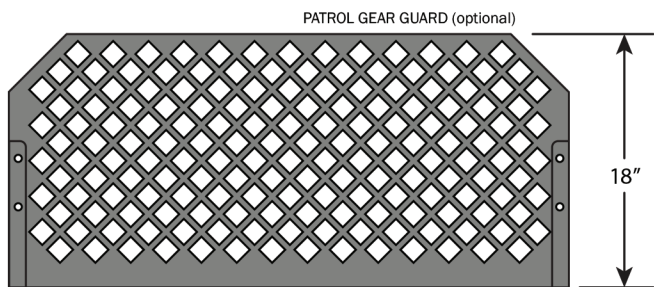
112016



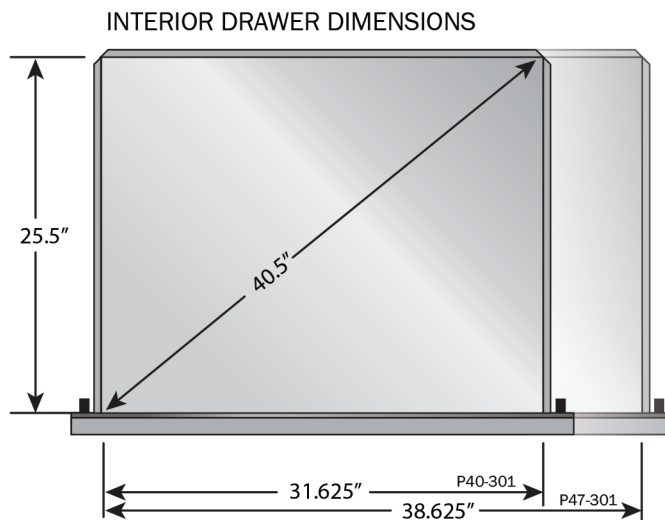
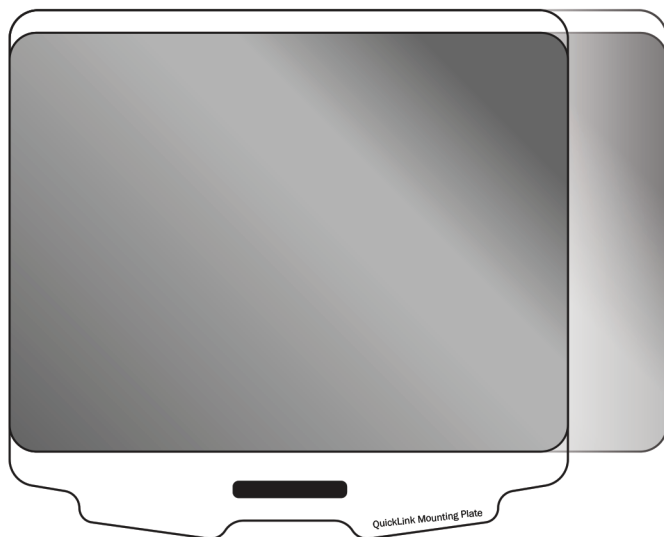
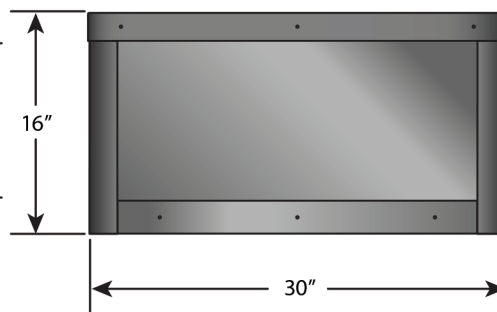
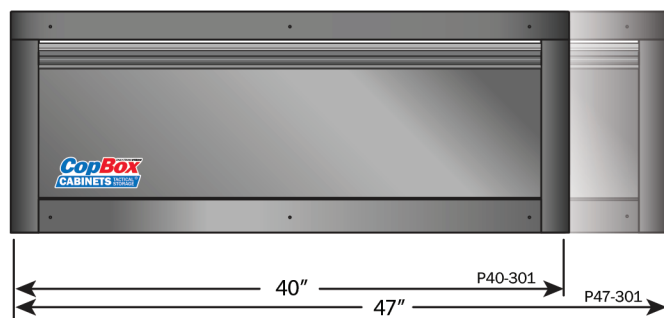
PATROL SERIES COPBOX CABINET



ORAGE SOLUTIONS • THE MOST RESPECTED NAME IN MOBILE ALUMINUM STORAGE SOLUTIONS • THE MOST RESPECTED



DESIGNED, MANUFACTURED & ASSEMBLED
IN THE U.S.A.



ONLY FROM **CTECH**

CopBox

CABINETS TACTICAL STORAGE®

STANDARD FEATURES:

- Lightweight All Aluminum Construction
- MotionLatch™ Doors and Drawers
- Extruded Aluminum Radius Corners
- Tough Powder Coat Finish

- Drawer Liner
- Drawer / Door Locks
- Front to Back Drawer Dividers

LIFETIME WARRANTY

Proprietary Notice

This drawing and the text, design, and concepts herein are the property of CTECH Trailer Cabinets, a division of Greenheck Racing. Any reproduction, distribution, or forwarding of this document to persons or organizations for any reason without written permission from CTECH is prohibited.