

METRO SERIES COPBOX CABINET



ORAGE SOLUTIONS • THE MOST RESPECTED NAME IN MOBILE ALUMINUM STORAGE SOLUTIONS • THE MOST RESPECTED



ONLY FROM **CTECH**

CopBox

CABINETS TACTICAL STORAGE[®]

METRO Characteristics 12" Tall - Secure storage cabinet

Intended for metropolitan Police fleets with vehicles being used by multiple officers. The Metro Series gives the security of an enclosed secure storage box with the flexibility of a wide open concept design for multiple bag sizes and storage needs for each officer.

- Safe and Secure storage with locking flip lid.
- Full Visibility out of rear of vehicle
- Factory QuickLink mounting plates secures CopBox Cabinet
- One size fits all (MID and FULL Sized SUVs)



61 lbs

WEIGHT



DESIGNED, MANUFACTURED & ASSEMBLED
IN THE U.S.A.

METRO UNIVERSAL

M40-301

12" H x 40" W x 30" D

092016

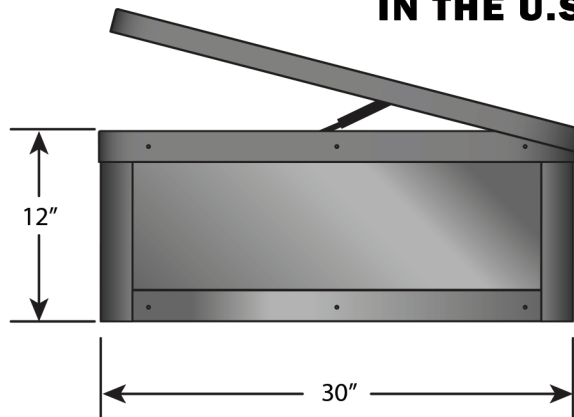
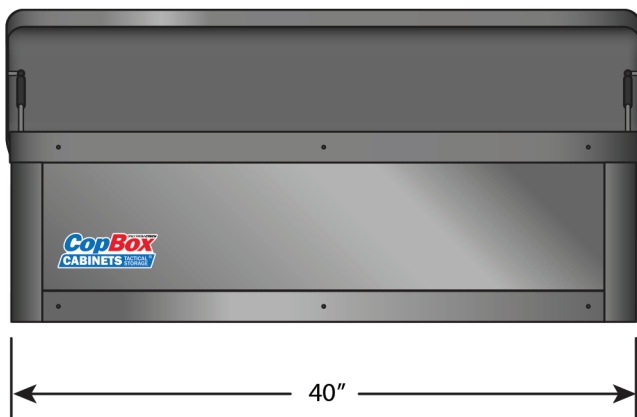
7501 COMMERCE DR • WESTON, WI 54476 • 715.355.8842 • WWW.CTECHMANUFACTURING.COM



METRO SERIES COPBOX CABINET



ORAGE SOLUTIONS • THE MOST RESPECTED NAME IN MOBILE ALUMINUM STORAGE SOLUTIONS • THE MOST RESPECTED



ONLY FROM **CTECH**

CopBox

CABINETS TACTICAL STORAGE[®]

Proprietary Notice

This drawing and the text, design, and concepts herein are the property of CTECH Trailer Cabinets, a division of Greenheck Racing. Any reproduction, distribution, or forwarding of this document to persons or organizations for any reason without written permission from CTECH is prohibited.