



# FIRE CARGO BOX



THE MOST RESPECTED NAME IN ALUMINUM ENGINEERED STORAGE SOLUTIONS FOR MOBILE APPLICATIONS

## COMMAND WIDE BODY HARD TOP C47-353



### FIRE Cargo Box Characteristics 26" Tall

Designed for Firemen by Firemen. The ChiefBox was designed to fulfill the needs of a Fire Chief's duties in the most efficient way possible. With a pull out shelf, magnetic white-board and 2 more drawers for storage, you will have the tools to Command your team with your equipment at your fingertips. Being efficient ensures everyone's safety on the scene.

- Mobile Command Station in your SUV
- Magnetic White Board / work surface
- Pull out shelf features 3 500lb slides
- Available in Red or Silver Vane powder coat finish.
- Patrol (16") Series box also available.

26" H x 47" W x 35" D



ONLY FROM CTECH  
**MotionLatch™**  
Drawer & Door System  
US Patent 6,547,289





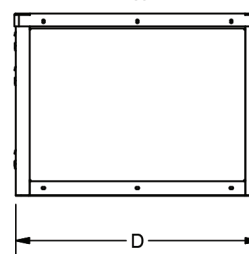
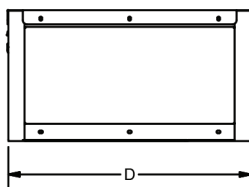
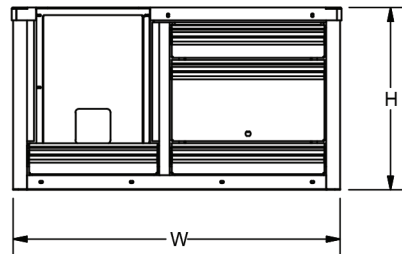
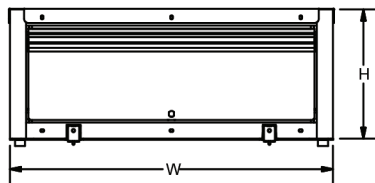
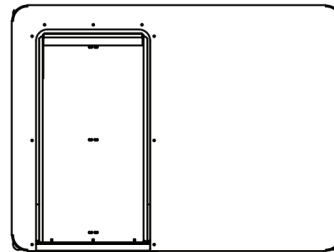
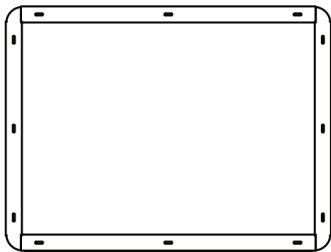
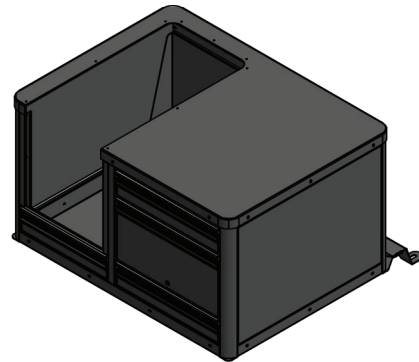
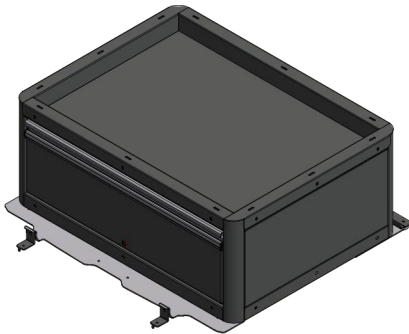
# FIRE CARGO BOX



THE MOST RESPECTED NAME IN ALUMINUM ENGINEERED STORAGE SOLUTIONS FOR MOBILE APPLICATIONS

TABLE			
SERIES	"W" width	"H" height	"D" depth
P40-241	40	16	24
P47-301	47	16	30

TABLE			
SERIES	"W" width	"H" height	"D" depth
C40-303	40	26	30
C47-353	47	26	35



### STANDARD FEATURES:

- Lightweight All Aluminum Construction
- MotionLatch™ Doors and Drawers
- Extruded Aluminum Radius Corners
- Tough Powder Coat Finish
- Drawer Liner
- Drawer / Door Locks
- Front to Back Drawer Dividers



### LIFETIME WARRANTY

*\*slides & shocks have a pass through warranty from manufacturer (slides and shocks)\**

### Proprietary Notice

This drawing and the text, design, and concepts herein are the property of CTECH Manufacturing, a division of Greenheck Racing. Any reproduction, distribution, or forwarding of this document to persons or organizations for any reason without written permission from CTECH is prohibited.